

# UVpro EKS 100

## Cabinet for the disinfection of instruments and tools



### Disinfecting with the UVpro EKS 100

- Disinfection without chemicals and residue
- Works against viruses, bacteria, spores and fungi
- Optionally available in cabinet version (with one door, type EKB100)
- Time can be set from 1 to 32 minutes

The **UVpro EKS 100 disinfection cabinet** is suitable for reliable disinfection of instruments and tools. 4 UVC lamps, 2 at the bottom and 2 at the top, ensure a reliable result in a short time. The inside is fully equipped made of reflective aluminum for even illumination of the items. Ideal for laboratories, veterinarians and the agricultural sector.

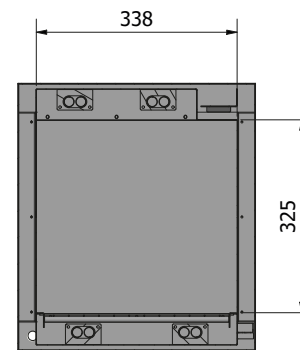
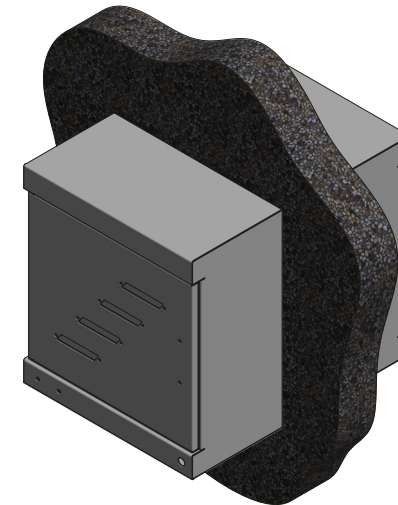
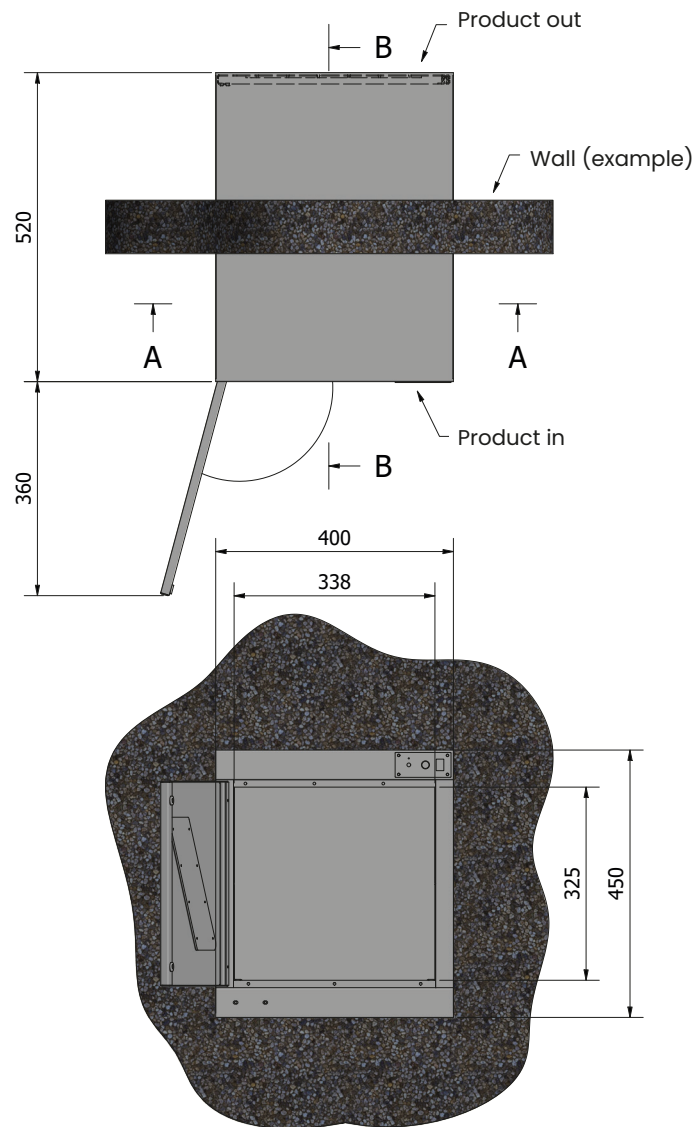
### SPECIFICATIONS

Manufacturer	Nuvonic Germany
In accordance with	EMV, CE, IP52
Material	Powder coated steel, stainless steel: WN 1.4301 & WN 1.4305
Operating temperature [°C]	0...+40
Type UVC tube	4x HNSL 24W
Power consumption [watt]	100 (4 x 25)
Current [mA]	450
Total UVC output [W <sub>253,7 nm</sub> ]	32 (4 x 8)
Intensity at 10 cm [μW/cm <sup>2</sup> ]	10.700
Internal dimensions (w x h x d) [mm]	445 x 335 x 320
External dimensions (w x h x d) [mm]	560 x 400 x 445
Weight [kg]	23
Lifespan of UVC tube [hours]	6.000 (75% ±5% remaining power)
Expected lifespan of electronics	> 10 years
Supply voltage [V <sub>AC</sub> ]	220...240 (50...60 Hz)
Power cable length [m]	5

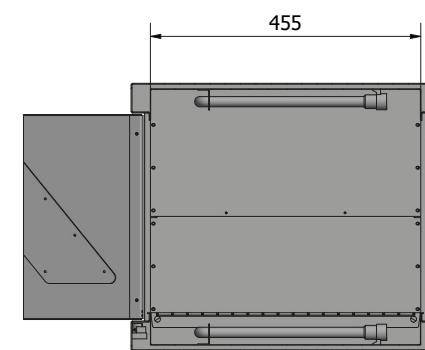
Technical changes reserved

# Technical information

UVpro EKS 100



Section A-A



Section B-B